



## Rotofast Cloud Anchors

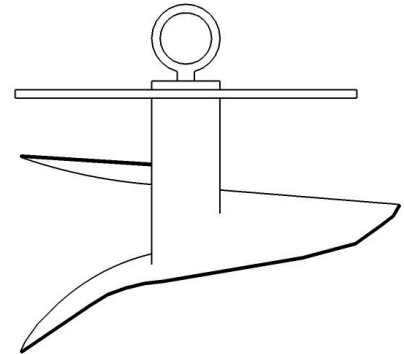
### Application

For hanging fiberglass acoustical panels as clouds. Use on 1" to 2" thick clouds.

### Instructions

1. Locate each place to install Rotofast Cloud Anchors, approximately 4-6" in from each corner of the panel.
2. Simply screw the leading edge of the Rotofast Cloud Anchor into the back of the panel and turn it clockwise until it is fully engaged.
3. Use wire, chain or "S" hooks (not provided) to hang the clouds.
4. Number of Rotoast Cloud Anchors per panel: 4

### SIDE VIEW



### MOUNTING DETAIL

